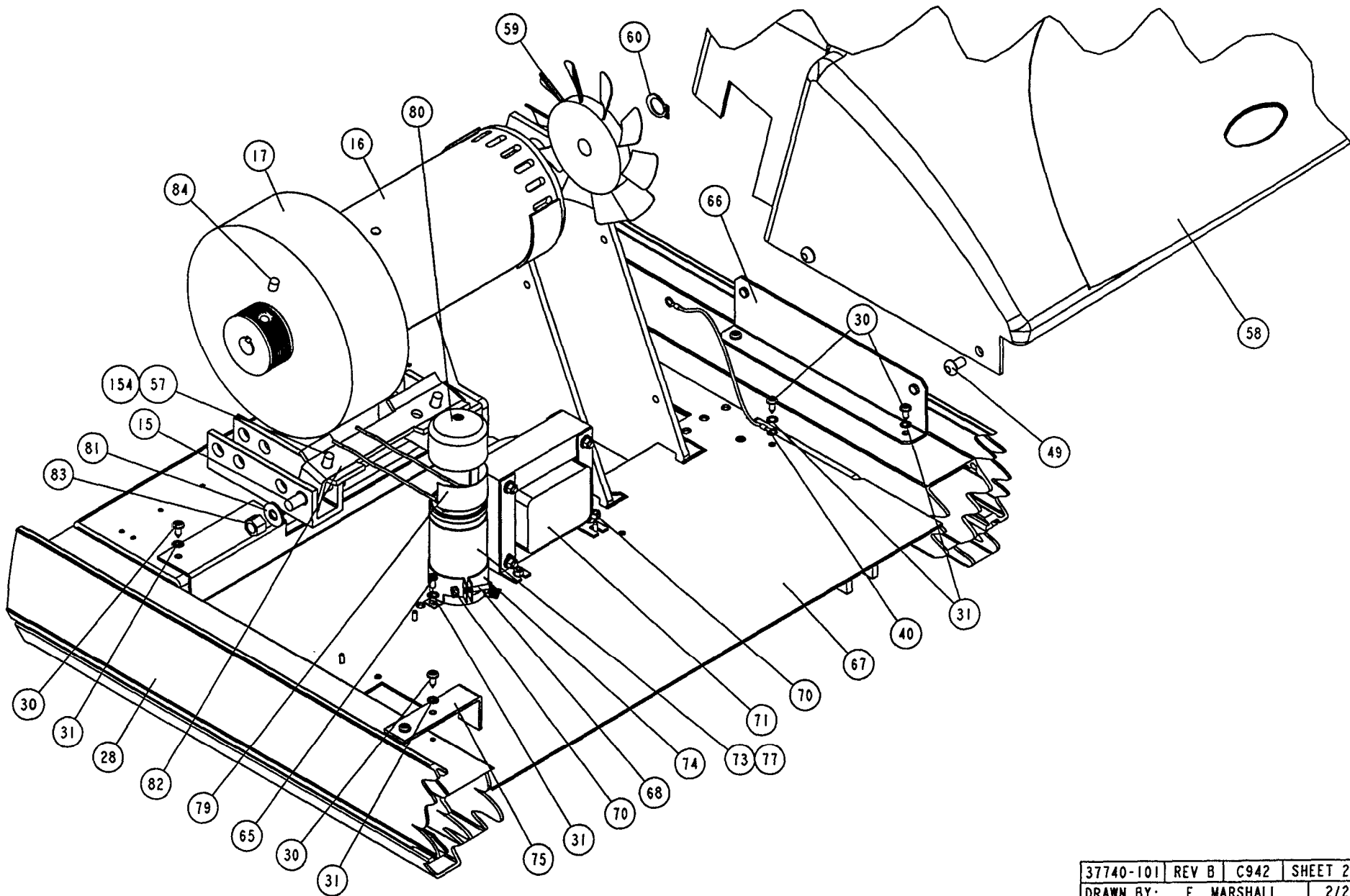
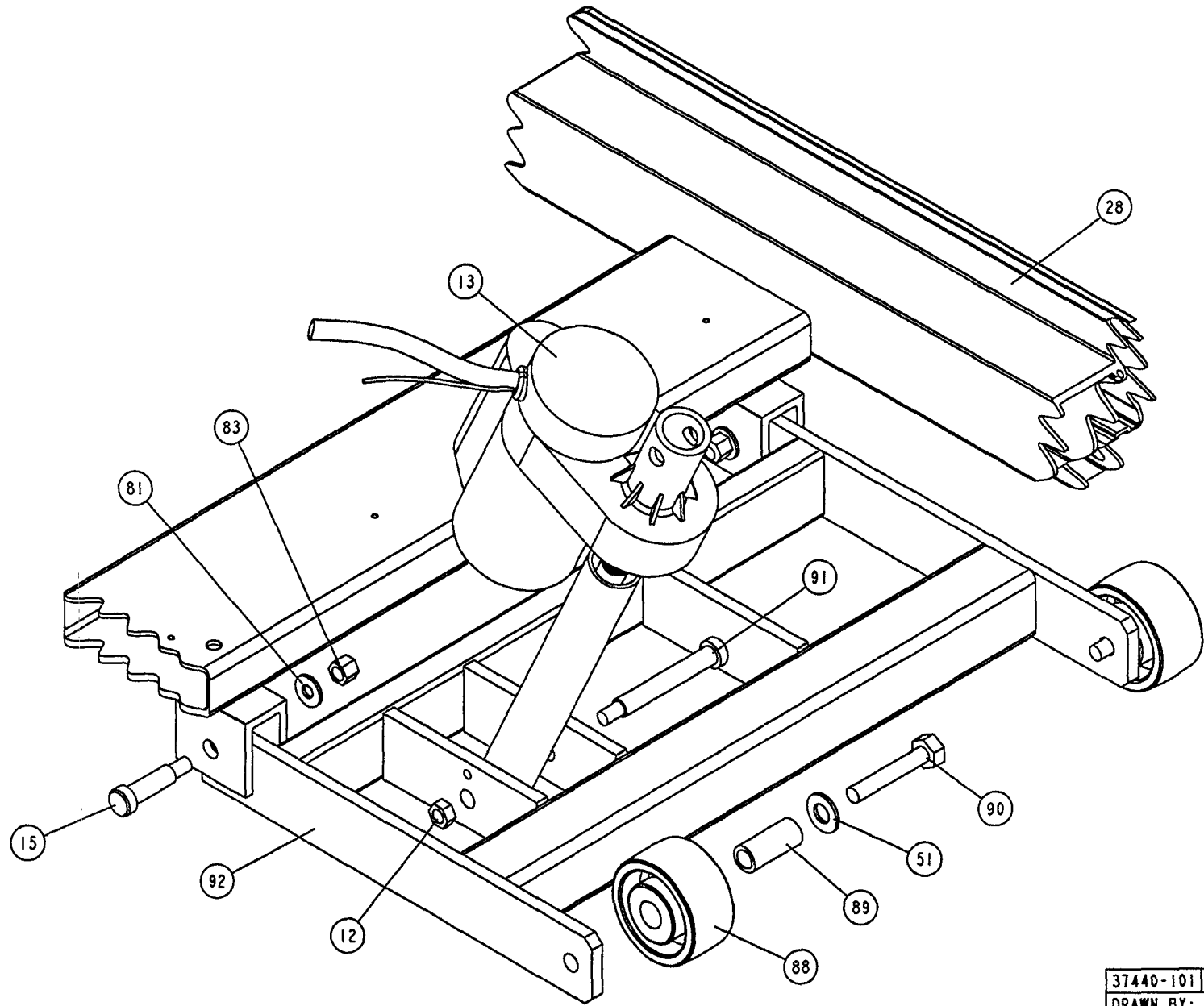
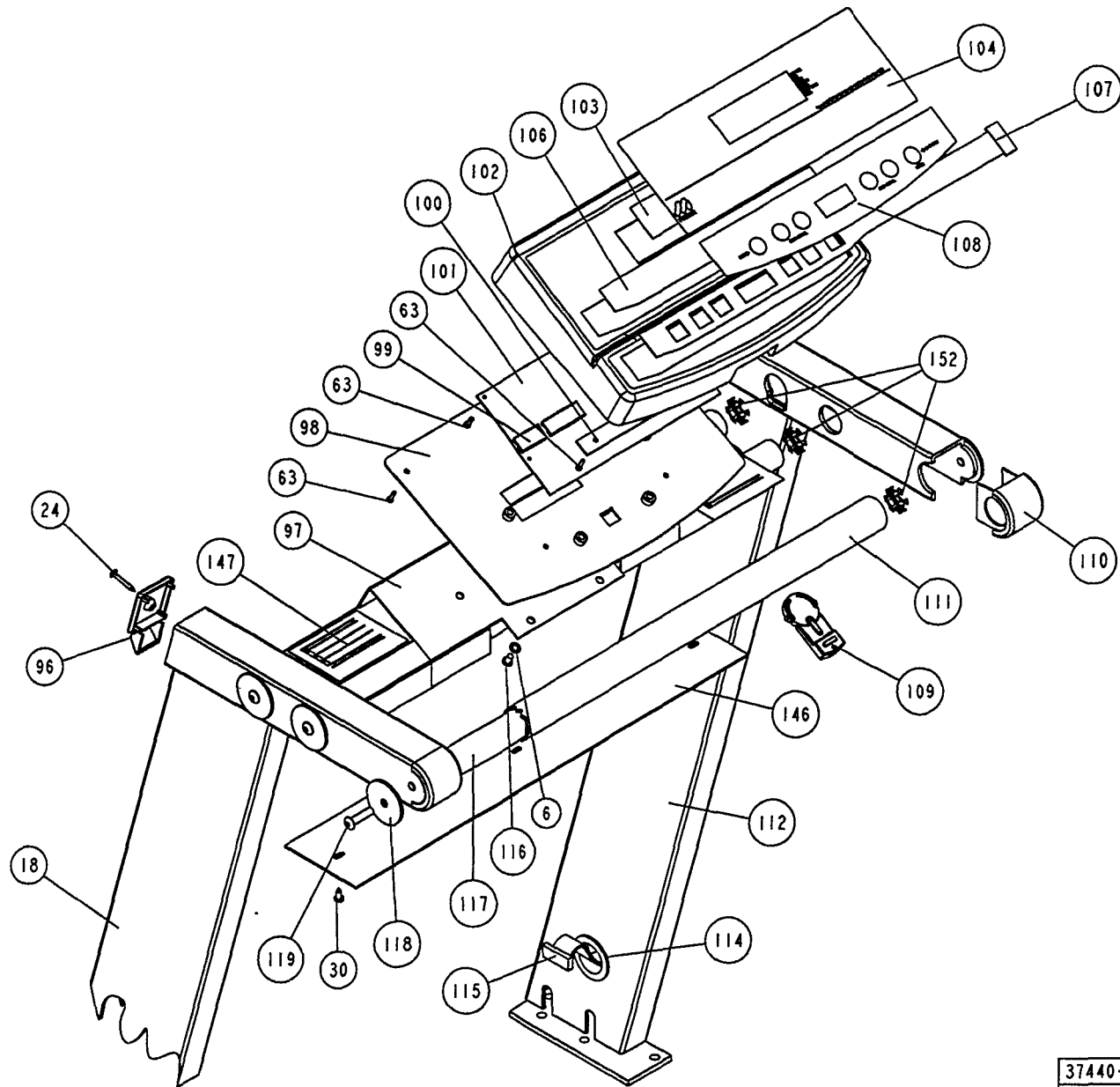


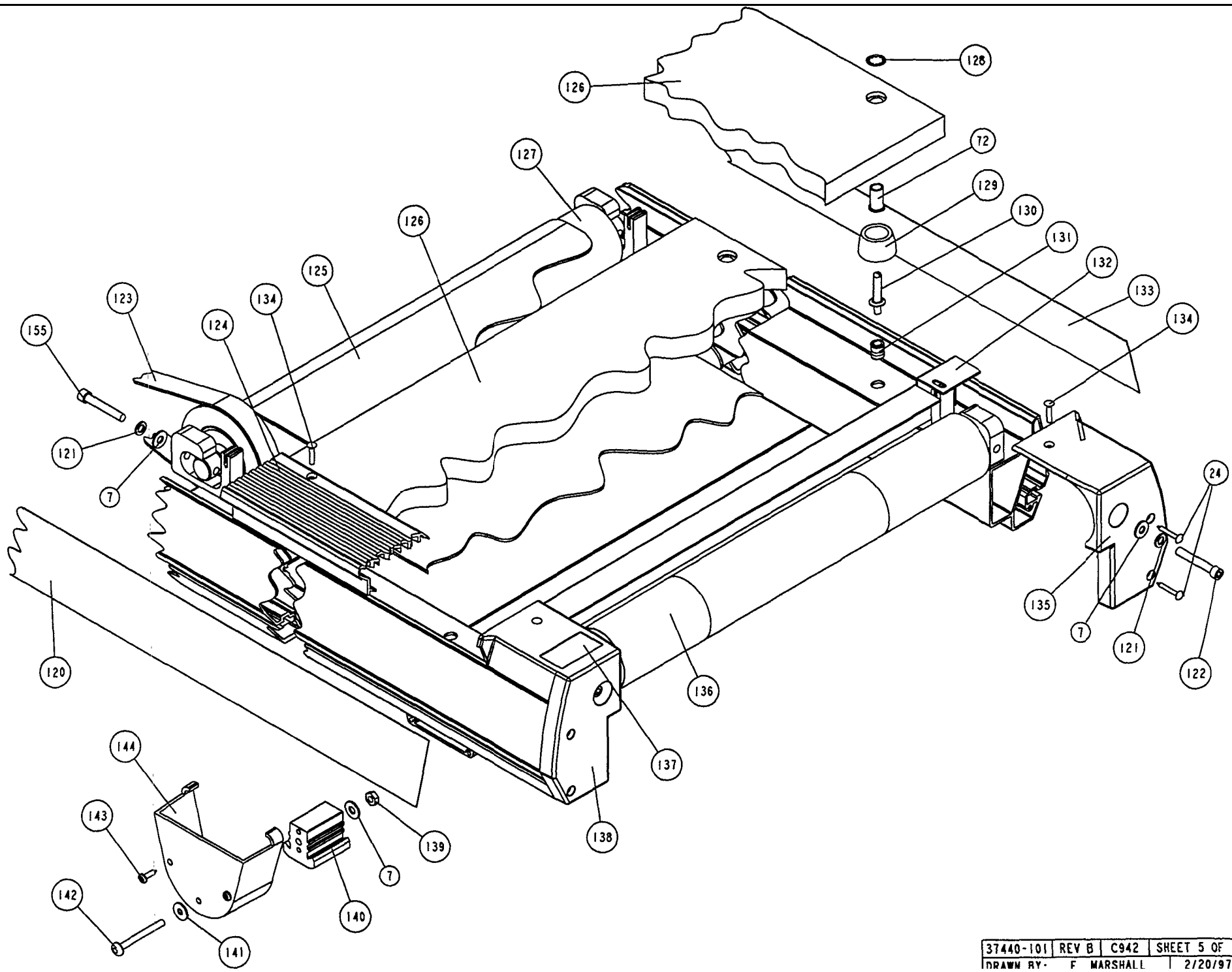
37440-101 REV B C942 SHEET 1 OF 1  
 DRAWN BY: E. MARSHALL / 2/20/97





|                       |       |         |              |
|-----------------------|-------|---------|--------------|
| 37440-101             | REV B | C942    | SHEET 3 OF 5 |
| DRAWN BY: E. MARSHALL |       | 2/20/97 |              |





**C942 (serial code 2M, 5L)**

| <b>Part Number</b> | <b>Description</b>                  | <b>Bubble Number</b> |
|--------------------|-------------------------------------|----------------------|
| 36608-101          | LABEL, SIDE RAIL, FRONT, C944       | 1                    |
| WATNN025-003       | WASHER, LK-INT, ID=.25,             | 6                    |
| WCCN025-007        | WASHER, FLT, 1/4X.734X.065          | 7                    |
| KGCN038-033        | LOCKNUT, STARWASHER, 3/8-16         | 12                   |
| 36893-101          | MOTOR, LIFT ACTUATOR, M9.41S        | 13                   |
| RCNN038-425        | SCREW,SHLDR,1/2 X 4 1/4 ,HEX        | 14                   |
| RANN038-150        | SCR,SHLD,1/2 X 1-1/2 ,HEXSC         | 15                   |
| 36615-101          | MOTOR,DRIVE,90VDC,2HP,18AMPS        | 16                   |
| 59035-101          | C94X & 9.4X SILVER TARGA RETRO KIT  | 18                   |
| KGCN031-027        | LOCKNUT,STARWASHER,5/16-18,1/2      | 20                   |
| PGKN016-125        | SCREW,S/T,#8X1-1/4,TRS,PHIL,        | 24                   |
| 36551-501          | PLATE, DRESS, PWM, PAINTED,         | 25                   |
| WATNN033-003       | WASHER, LK-INT, 5/16, ID=.325,      | 26                   |
| 36956-102          | ASSY, LINE CORD, 120V               | 27                   |
| PBKN019-050        | SCREW,S/T,#10X1/2,PANHD,PHIL,       | 30                   |
| WATNN020-002       | WASHER, LK-INT, #10, ID=.200,       | 31                   |
| 10435-101          | CKT BRKR,250V,MAGNETIC,ROCKER,      | 34                   |
| MGKN013-025        | SCREW,MCH,6-32X1/4,PANHD,PHIL,      | 36                   |
| 37180-102          | ASSY, LWR ELECT. MODULE             | 40                   |
| WACN019-005        | WASHER, FLT, #10X.500X.049,ZN       | 47                   |
| TAKN031-050        | SCREW,BTHD,5/16-18X1/2,BLK ZN       | 49                   |
| BNCN031-350        | J-BOLT, HOOK, 5/16-18X3.5,ZN        | 50                   |
| WBCN050-010        | WASHER, FLT, 1/2, ID=.531,          | 51                   |
| MHKN019-038        | SCREW,MCH,10-32X3/8,PANHD,PHIL      | 52                   |
| 37488-101          | BRACKET, SENSOR,9.45I,C942,9.45     | 54                   |
| 36833-102          | ASSY,REMOTE SENSOR,TWISTED          | 55                   |
| 37082-501          | LABEL, HOOD WIRING DIAGRAM          | 56                   |
| HDCN031-063        | SCREW,HEX,GR 5,5/16-24X5/8,ZN       | 57                   |
| 50974-105          | ASSY, HOOD W/LABELS,                | 58                   |
| 32560-101          | FAN, MOTOR                          | 59                   |
| AAHN063-003        | RING, RETAINER, 5/8, EXTERNAL       | 60                   |
| PMKN016-050        | SCREW,TCS,#8X1/2,PHIL,BLK ZN,TYPE25 | 63                   |
| MGCN016-038        | SCREW,MCH,8-32X3/8,PANHD,PHIL,      | 65                   |
| 36548-101          | BRACKET, HOOD MOUNTING              | 66                   |
| 36619-105          | PAN, ELECTRONICS                    | 67                   |
| MGCN016-063        | SCREW,MCH,8-32X5/8,PANHD,PHIL,      | 68                   |
| KGCN016-013        | LOCKNUT, STARWASHER 8-32, HEX       | 70                   |
| 37033-101          | BUSHING, SOFT DECK                  | 72                   |
| 33272-101          | LABEL, CAPACITOR DISCHARGE          | 73                   |
| 10036-101          | CLAMP,CAPACITOR,2.0 NOM             | 74                   |
| 10035-108          | CAP,AL-E,2200UF,200V,2.02 X3.69     | 77                   |
| MHCN019-038        | SCREW,MCH,10-32X3/8,PANHD,PHIL      | 79                   |
| 10479-101          | CAPACITOR CAP,2 OD X 1 HIGH         | 80                   |
| WCCN031-008        | WASHER, FLT, 5/16X.875X.083         | 81                   |
| 36618-103          | BRACKET, MOTOR PIVOT, PLATED        | 82                   |
| KDCN038-025        | LOCKNUT, FULL, 3/8-16, ZINC         | 83                   |
| EMKN008-010        | SCREW,SET,M8-1.25XM10,KNRLDCUP      | 84                   |
| 44270-101          | WHEEL, LIFT                         | 88                   |
| 36192-101          | BUSHING, SPANNER                    | 89                   |

|              |                                     |        |
|--------------|-------------------------------------|--------|
| HCKN050-250  | SCREW,HEX,GR 5,1/2-13X2-1/2,BLK ZN  | 90     |
| RCNN038-325  | SCR,SHLD,1/2 X 3-1/4 ,HEXSC,        | 91     |
| 36511-101    | ENDCAP, TARGA                       | 96     |
| 36600-201    | WELDMENT, TARGA CROSSMEMBER,PT      | 97     |
| 36942-501    | CHASSIS, DISPLAY, PAINTED,          | 98     |
| 37742-101    | PCA, SAFETY SWITCH                  | 100    |
| 37990-101    | PCA, DISPLAY                        | 101    |
| 43086-104    | ASSY, PCA&SW, C942,UPR              | 101.01 |
| 37374-103    | ASSY, DISPLAY ENCLOSURE C942        | 102    |
| 36566-105    | ASSY, FAILSAFE CORD,NEW CLIP        | 109    |
| 45790-024    | GRIP, HANDLEBAR, FOR OD 1.25 TUBING | 111    |
| 10178-103    | BUSHING, SNAP, 2300                 | 114    |
| 36858-101    | CABLE,UPCA TO LPCA,56               | 115    |
| TAKN025-038  | SCREW,BTHD,1/4-20X3/8,BLK ZN        | 116    |
| 59019-101    | ASSY,HANDRAIL                       | 117    |
| TAKE031-125  | SCREW,BTHD,5/16-18X1-1/4,BLK ZN     | 119    |
| WMSN033-006  | WASHER, AN960-516, ID=.328,         | 121    |
| CCNN031-200  | SCREW,SKHD,5/16-18X2,SS,LK          | 122    |
| 10217-103    | BELT, DRIVE, 280J10 POLY V          | 123    |
| 36412-103    | EXTRUSION, TRIM                     | 124    |
| HCCN031-100  | SCREW, HEX, GR 5, 5/16-18 X 1.0, ZN | 124    |
| 50986-102    | ASSY BED, SLICK DECK, C944/C940 STR | 126    |
| 37577-101    | ASSY, DRIVE ROLLER                  | 127    |
| AHHN075-001  | RING, RETAINER, CIRCULAR, .50       | 128    |
| 33563-102    | SPRING, BED SUPPORT                 | 129    |
| 36118-103    | STUD, BED, HEX DRIVE                | 130    |
| 10546-102    | NUTSERT, 5/16-18                    | 131    |
| 36549-501    | GUARD, FINGER, REAR, PAINTED        | 132    |
| DCKN019-100  | SCREW,WOOD #10X1, L=1.00            | 134    |
| 31825-102    | ASSY, TAKE-UP ROLLER,               | 136    |
| 36409-102    | ENDCAP, LEFT                        | 138    |
| KDKN025-023  | LOCKNUT, FULL, 1/4-20, BLK ZN       | 139    |
| 36382-103    | FOOT, C960                          | 140    |
| WCKN025-007  | WASHER, PLAIN 1/4 BLACK             | 141    |
| TAKN025-250  | SCREW,BTHD,1/4-20X2-1/2,BLK ZN      | 142    |
| PBKN019-075  | SCREW,S/T,#10X3/4,PANHD,PHIL,       | 143    |
| 59006-101    | ASSY, REAR FOOT C960                | 144    |
| 37245-501    | PLATE, TARGA SHIELD, PAINTED        | 146    |
| 37379-501    | LABEL, CAUTION/COURSES, LEFT,       | 147    |
| 37378-501    | LABEL, SIDE RAIL, RT RR, C942       | 150    |
| 37378-502    | LABEL, SIDE RAIL, LT RR, C942       | 151    |
| 10385-106    | CONNECTOR, TUBE, 5/16-18, 1.25      | 152    |
| WATNN033-003 | WASHER, LK-INT, 5/16, ID=.325,      | 154    |
| CAKN031-150  | SCREW,SKHD,5/16-18X1.50,BLK ZN,LK   | 155    |
| 36855-101    | ASSY, CABLE, CIRC BRKR CONTROL      | 156    |
| KHCN019-013  | LOCKNUT, STARWASHER, 10-32,         | 161    |
| KGCN011-009  | LOCKNUT, STARWASHER, 4-40           | 162    |
| CAKN025-050  | SCREW,SKHD,1/4-20X0.50,BLK ZN,LK    | 163    |
| MGCN011-063  | SCREW,MCH,4-40X5/8,PANHD,PHIL,      | 165    |
| MAACN019-075 | SCREW,MCH,10-32X3/4,HEX,ZN          | 166    |
| 37363-501    | LABEL, FLYWHEEL TARGET, M9.45       | 168    |

|           |                                     |     |
|-----------|-------------------------------------|-----|
| 33984-101 | LABEL, SAFETY, GROUND SYMBOL        | 169 |
| 37621-101 | LABEL,GROUND EFFECTS,OVAL,DURO-LENZ | 170 |
| 37439-103 | OWNER'S MANUAL, C942                | 200 |
| 40227-101 | ADDENDUM,C942 CLUB SETTINGS         | 200 |
| 36747-102 | SHIPPER, TARGA INSERT               | 207 |
| 36748-102 | SHIPPER, TOP END                    | 208 |
| 36749-102 | SHIPPER, BTM END SCORED PAD         | 209 |
| 36750-104 | SHIPPER, TOP END SCORED PAD         | 210 |
| 36751-103 | SHIPPER, OUTER BOTTOM               | 211 |
| 36752-104 | SHIPPER, OUTER TOP                  | 212 |
| 33881-101 | SHIPPER, FOAM, 180 EA/ROLL          | 213 |
| 36678-107 | SHIPPER, FOAM BLOCK, LEFT           | 215 |
| 36678-108 | SHIPPER, FOAM BLOCK, RIGHT          | 216 |
| 10427-111 | FUSE,SLOW,.25A,250V,1/4 DIA         | 250 |
| 10427-140 | FUSE,SLOW,2A,250V,1/4 DIA           | 251 |
| 10186-101 | WRENCH, ALLEN, 5/32                 | 271 |
| 10186-102 | WRENCH, ALLEN, 1/4                  | 272 |
| 10186-103 | WRENCH, ALLEN, 3/16                 | 273 |